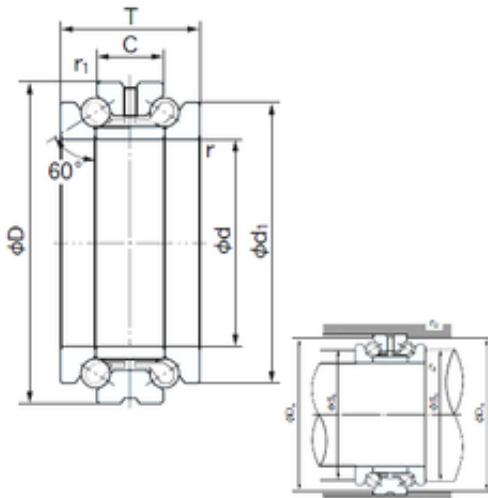




Timken BEARINGS INDUSTRY



25TAD20 Bearing 2D drawings and 3D CAD models

NACHI 25TAD20 thrust ball bearings

Bearing No. 25TAD20

Size	25x47x28 mm
Bore Diameter	25 mm
Outer Diameter	47 mm
Width	28 mm
d	25 mm
D	47 mm
T	28 mm
ra1 max.	0.3 mm
Angle (°)	60 °
d1	40 mm
r min.	0.6 mm
r1 min.	0.3 mm
C	14 mm
da min.	33 mm
Da max.	43.5 mm
ra max.	0.6 mm
Weight	0.197 Kg
Basic dynamic load rating (C)	10,7 kN
Basic static load rating (C0)	19,9 kN
(Grease) Lubrication Speed	8000 r/min