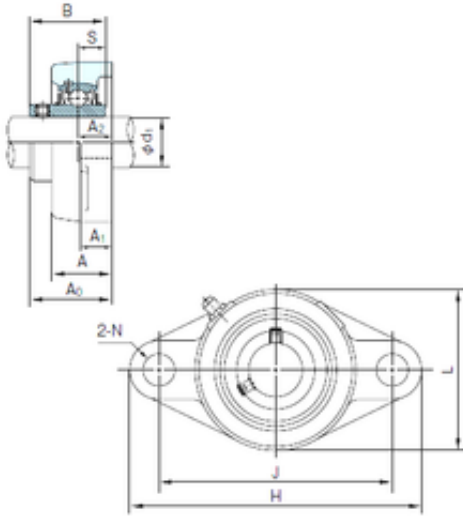




Timken BEARINGS INDUSTRY



NACHI UCFL208 bearing units

Bearing No. UCFL208

Bore Diameter	40 mm
d1	40 mm
A0	51.2 mm
A	36 mm
A1	16 mm
B	49.2 mm
H	175 mm
J	144 mm
L	100 mm
L1	104 mm
N	16 mm
S	19 mm
Bolt (G)	M14
A2	21 mm
Category	Bearings
Inventory	0.0
Manufacturer Name	NACHI
Minimum Buy Quantity	N/A
Weight / Kilogram	0
Product Group	M06110

UCFL208 Bearing 2D drawings and 3D CAD models