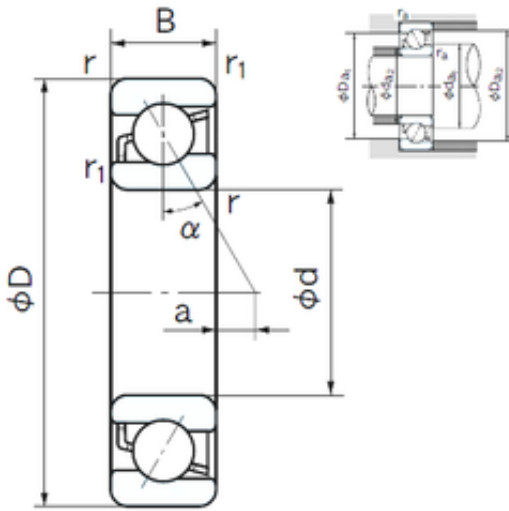




# Timken BEARINGS INDUSTRY



7304B Bearing 2D drawings and 3D CAD models

## 20 mm x 52 mm x 15 mm NACHI 7304B angular contact ball bearings

Bearing No. 7304B

Size	20x52x15 mm
Bore Diameter	20 mm
Outer Diameter	52 mm
Width	15 mm
d	20 mm
D	52 mm
B	15 mm
C	15 mm
Angle ( ° )	40 °
a	7.6 mm
r min.	1.1 mm
r1 min.	0.6 mm
da min.	27 mm
Da max.	45 mm
ra max.	1 mm
Weight	0.150 Kg
Basic dynamic load rating (C)	17,8 kN
Basic static load rating (C0)	9,9 kN
(Grease) Lubrication Speed	10000 r/min
Category	Angular Contact Ball Bearings
Inventory	0.0
Manufacturer Name	NACHI
Minimum Buy Quantity	N/A
Weight / Kilogram	0.15



## Timken BEARINGS INDUSTRY

Product Group	B00308
Enclosure	Open
Flush Ground	No
Rolling Element	Ball Bearing
Number of Rows of Balls	Single Row
Precision Class	ABEC 1   ISO P0
Maximum Capacity / Filling Slot	No
Snap Ring	No
Cage Material	Steel
Contact Angle	40 Degree
Internal Clearance	C0-Medium
Number of Bearings	1 (Single)
Inch - Metric	Metric
Long Description	20MM Bore; 52MM Outside Diameter; 15MM Width; Open; No Flush Ground; Ball Bearing; Single Row of Balls; ABEC 1   ISO P0; No Filling Slot; No Snap Ring
Category	Angular Contact Ball Bearing
UNSPSC	31171531
Harmonized Tariff Code	8482.10.50.28
Noun	Bearing
Keyword String	Angular Contact
Manufacturer URL	<a href="http://www.nachi.com">http://www.nachi.com</a>
Manufacturer Item Number	7304 B BNLS
Weight / LBS	0.33
Outside Diameter	2.047 Inch   52 Millimeter
Bore	0.787 Inch   20 Millimeter
Width	0.591 Inch   15 Millimeter
Configuration	Single Row
Bore Type	Cylindrical Bore



## Timken BEARINGS INDUSTRY

Bore Size	20 mm
Fillet Radius/Chamfer	1.1 mm
r1	0.6 mm
Dynamic Load Rating	17,800 N
Static Load Rating	9,900 N
Limiting Speed - Grease	10,000 rpm
Limiting Speed - Oil	15,000 rpm
da1 (min)	27 mm
da2 (min)	25 mm
Da1 (max)	45 mm
Da2 (max)	47 mm
ra (max)	1 mm
ra1 (max)	0.6 mm