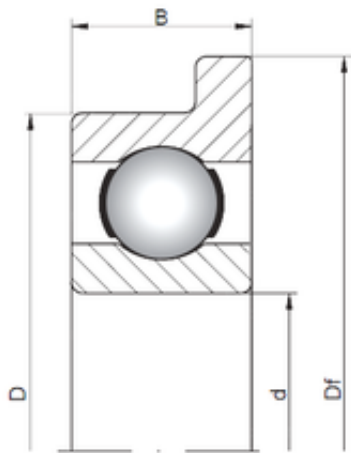




## Timken BEARINGS INDUSTRY



6 mm x 13 mm x 3,5 mm ISO FL618/6 deep groove ball bearings

Bearing No. FL618/6

Dimensione	6x13x3.5 mm
Marchio	ISO
Diametro del foro	6 mm
Diametro esterno	13 mm
Larghezza	3,5 mm
d	6 mm
D	13 mm
B	3,5 mm
C	3,5 mm
Df	15 mm

FL618/6 Bearing 2D drawings and 3D CAD models