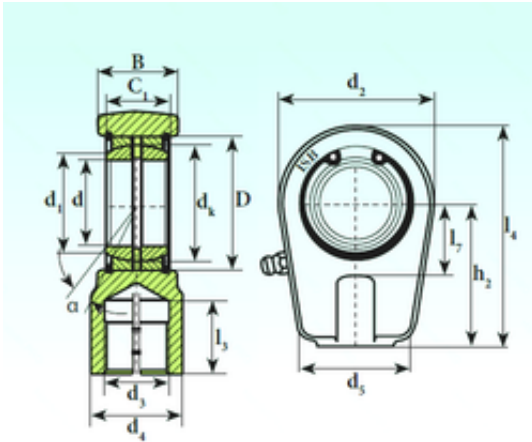




Timken BEARINGS INDUSTRY



70 mm x 90 mm x 55 mm ISB TAPR 470 N plain bearings

Bearing No. TAPR 470 N

Bore Diameter	70 mm
d	70 mm
B	55 mm
d1	77,8 mm
d2	154 mm
d4	86 mm
dk	80 mm
h2	150 mm
l3 min.	66 mm
l4 max.	232 mm
l7 min.	75 mm
C1	49 mm
D	90 mm
Thread (G)	M65x1,5
Angle	6 °
d5	130 r/min
Weight	9,83 Kg
Basic dynamic load rating (C)	315 kN

TAPR 470 N Bearing 2D drawings and 3D CAD models