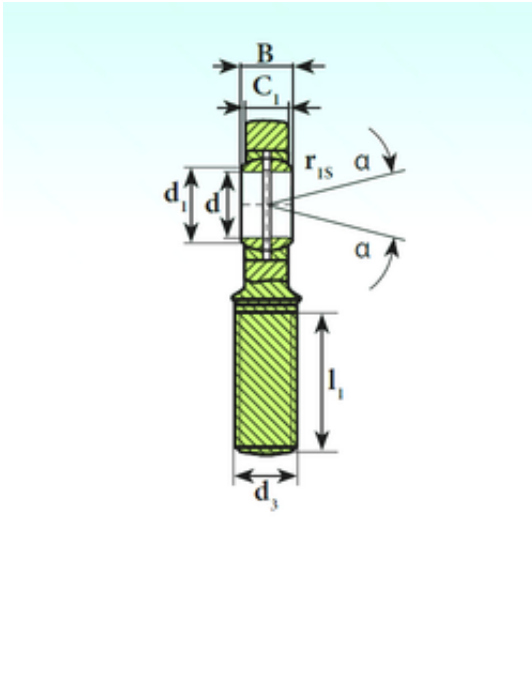




# Timken BEARINGS INDUSTRY



SA 60 ES Bearing 2D drawings and 3D CAD models

60 mm x 90 mm x 44 mm ISB SA 60 ES plain bearings

Bearing No. SA 60 ES

Size	60x90x44 mm
Bore Diameter	60 mm
Outer Diameter	90 mm
Width	44 mm
d	60 mm
D	90 mm
B	44 mm
d1	66,8 mm
d2	135 mm
dk	80 mm
h1	210 mm
l1 min.	115 mm
l2 max.	277,5 mm
l7 min.	75 mm
r min.	1 mm
C1	38 mm
W	M52x3
Angle	6 °
Weight	5,9 Kg
Basic dynamic load rating (C)	245 kN