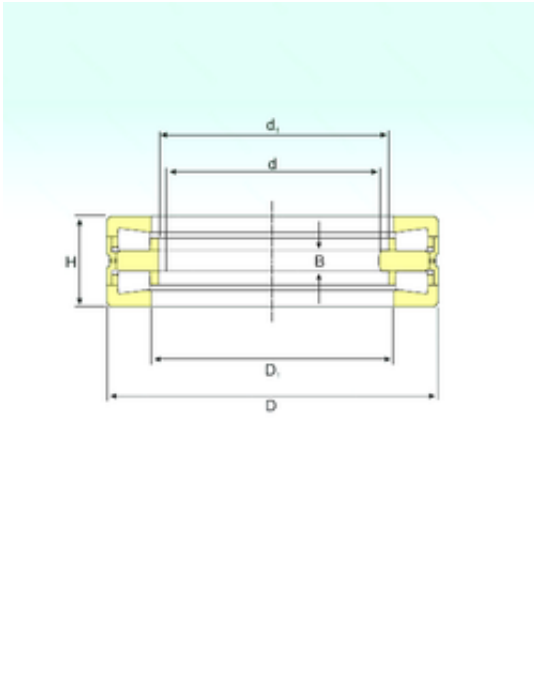




Timken BEARINGS INDUSTRY



350901 C Bearing 2D drawings and 3D CAD models

600 mm x 910 mm x 70 mm ISB 350901 C thrust roller bearings

Bearing No. 350901 C

Size	600x910x70 mm
Bore Diameter	600 mm
Outer Diameter	910 mm
Width	70 mm
d	600 mm
d1	670 mm
D	910 mm
B	70 mm
H	290 mm
D1	680 mm
Weight	655 Kg
Basic dynamic load rating (C)	4635,4 kN