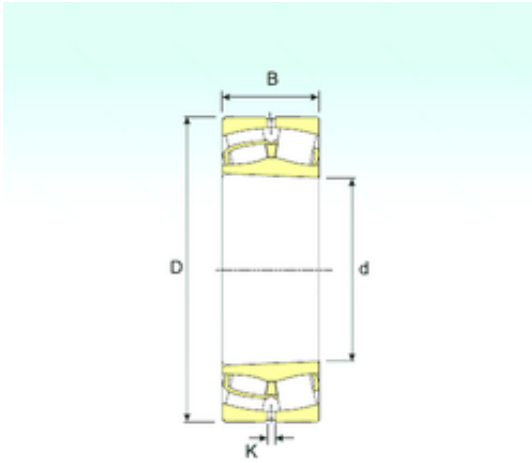




Timken BEARINGS INDUSTRY



100 mm x 165 mm x 65 mm ISB 24120 K30
spherical roller bearings

Bearing No. 24120 K30

Size	100x165x65 mm
Bore Diameter	100 mm
Outer Diameter	165 mm
Width	65 mm
d	100 mm
D	165 mm
B	65 mm
C	65 mm
K	2 mm
Weight	5,65 Kg
Basic dynamic load rating (C)	446 kN
Basic static load rating (C0)	627 kN
(Grease) Lubrication Speed	2448 r/min

24120 K30 Bearing 2D drawings and 3D CAD models