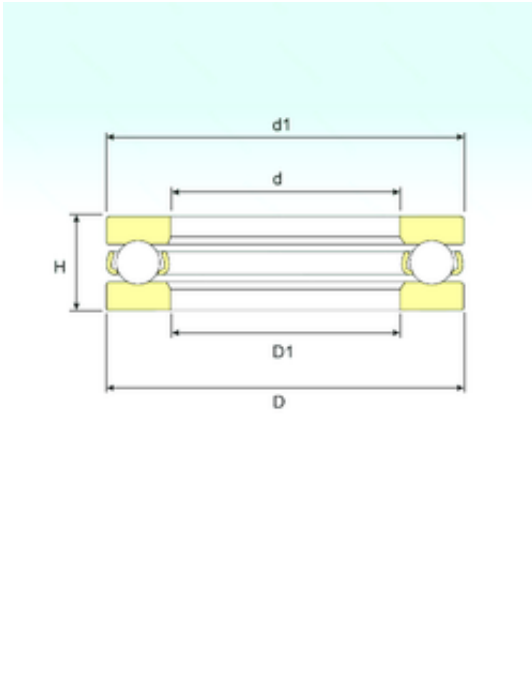




# Timken BEARINGS INDUSTRY



51176 M Bearing 2D drawings and 3D CAD models

## ISB 51176 M thrust ball bearings

Bearing No. 51176 M

Size	380x460x65 mm
Bore Diameter	380 mm
Outer Diameter	460 mm
Width	65 mm
d	380 mm
D	460 mm
H	65 mm
d1	456 mm
D1	384 mm
Weight	23 Kg
Basic dynamic load rating (C)	389 kN
Basic static load rating (C0)	2156 kN
(Grease) Lubrication Speed	765 r/min