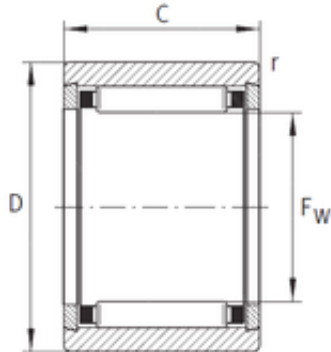




Timken BEARINGS INDUSTRY

INA NK 7/12-TN-XL needle roller bearings



Bearing No. NK 7/12-TN-XL

Size	7x14x12 mm
Bore Diameter	7 mm
Outer Diameter	14 mm
Width	12 mm
F _w	7 mm
D	14 mm
C	12 mm
r min.	0,3 mm
Weight	0,0082 Kg
Basic dynamic load rating (C)	4,15 kN
Basic static load rating (C ₀)	3,6 kN
Fatigue load limit (P _u)	0,6
Reference speed	49 000 r/min

NK 7/12-TN-XL Bearing 2D drawings and 3D CAD models