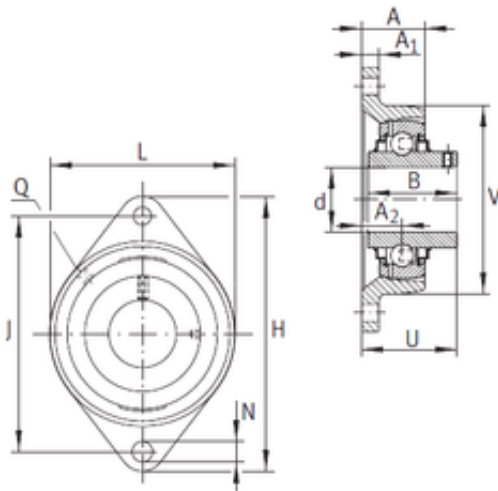




Timken BEARINGS INDUSTRY

INA RCJTY55-JIS bearing units



Bearing No. RCJTY55-JIS

Bore Diameter	55 mm
d	55 mm
Q	M6
U	58,4 mm
A	43 mm
A1	20 mm
B	55,6 mm
H	224 mm
J	184 mm
L	130 mm
N	19 mm
A2	25 mm
Weight	2,83 Kg
Basic dynamic load rating (C)	43,5 kN
Category	Bearings
Inventory	0.0
Manufacturer Name	SCHAEFFLER GROUP
Minimum Buy Quantity	N/A
Weight / Kilogram	2.83
Product Group	M06110

RCJTY55-JIS Bearing 2D drawings and 3D CAD models