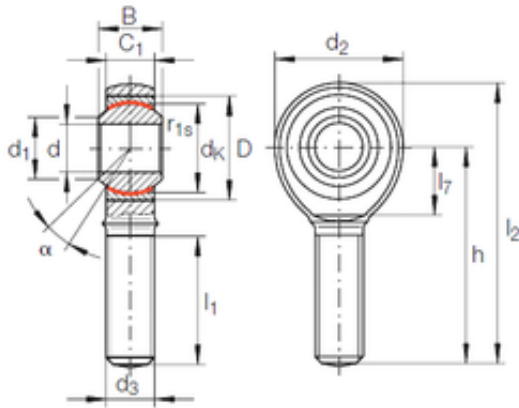




Timken BEARINGS INDUSTRY

22 mm x 42 mm x 28 mm INA GAKR 22 PW plain bearings



Bearing No. GAKR 22 PW

GAKR 22 PW Bearing 2D drawings and 3D CAD models

Size	22x42x28 mm
Bore Diameter	22 mm
Outer Diameter	42 mm
Width	28 mm
d	22 mm
D	42 mm
B	28 mm
d1	25,8 mm
d2	54 mm
dk	38,1 mm
h	84 mm
l1 min.	48 mm
l2 max.	111 mm
l7 min.	29 mm
r1 min.	0,3 mm
C1	20 mm
Thread (G)	M22X1,5
Angle	15 °
Weight	0,48 Kg
Basic dynamic load rating (C)	68 kN