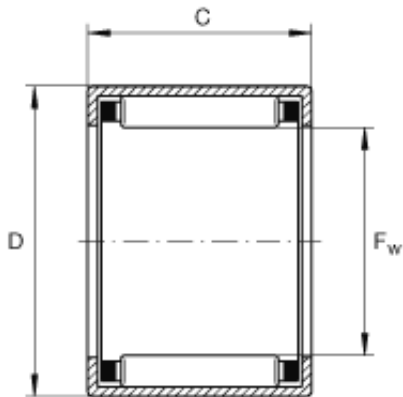




Timken BEARINGS INDUSTRY



INA SCE128 needle roller bearings

Bearing No. SCE128

Size	19.05x25.4x12.7 mm
Bore Diameter	19,05 mm
Outer Diameter	25,4 mm
Width	12,7 mm
F _w	3/4 inch
F _w	19,05 mm
D	1 inch
D	25,4 mm
C	0,5 inch
C	12,7 mm
m	0,031 lbs / Weight
m	14 g / Weight
C _r	2210 lbf / Dynamic load rating (radial)
C _r	9800 N / Dynamic load rating (radial)
C _{0r}	2800 lbf / Static load rating (radial)
C _{0r}	12500 N / Static load rating (radial)
n _G	13100 1/min / Limiting speed
n _B	9300 1/min / Reference speed
Category	Needle Non Thrust Roller Bearings
Inventory	0.0
Manufacturer Name	SCHAEFFLER GROUP

SCE128 Bearing 2D drawings and 3D CAD models



Timken BEARINGS INDUSTRY

Minimum Buy Quantity	N/A
Weight / Kilogram	0.01
EAN	4012802069716
Product Group	B04144
Rolling Element	Needle Roller Bearing
Component	Roller Assembly with Outer Ring - No Inner Ring
Enclosure	Open
Self Aligning	No
Retainer	Yes
Number of Rows of Rollers	Single Row
Separable	No
Closed End	No
Inch - Metric	Inch
Relubricatable	No
Thrust Bearing	No
Long Description	3/4" Bore; 1" Outside Diameter; 1/2" Width; Needle Roller Bearing; Roller Assembly with Outer Ring - No Inner Ring; Open; Not Self Aligning; Retainer; Single Row of Rollers; Not Separab
Other Features	2 Rib Outer Ring Drawn Cup Bearing Steel Cage
Category	Needle Non Thrust Roller Bearing
UNSPSC	31171512
Harmonized Tariff Code	8482.99.65.30
Noun	Roller Assembly with Outer Ring
Keyword String	Bearing Needle
Manufacturer URL	http://www.ina.com
Manufacturer Item Number	SCE128
Weight / LBS	0.031



Timken BEARINGS INDUSTRY

Outside Diameter	1 Inch 25.4 Millimeter
Width	0.5 Inch 12.7 Millimeter
Bore	0.75 Inch 19.05 Millimeter