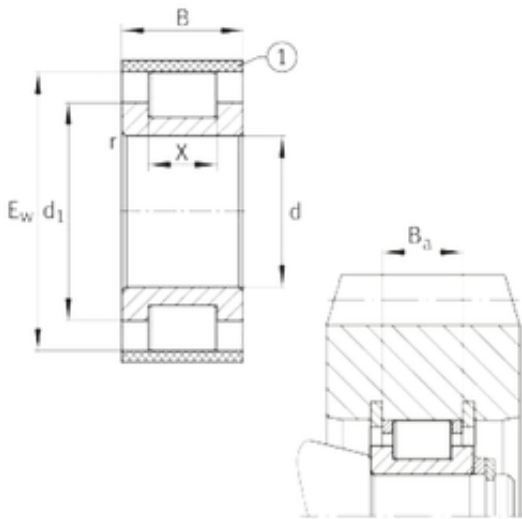




Timken BEARINGS INDUSTRY



INA RSL183032-A cylindrical roller bearings

Bearing No. RSL183032-A

Size	160x224.8x60 mm
Bore Diameter	160 mm
Outer Diameter	224,8 mm
Width	60 mm
d	160 mm
Ew	224,8 mm
B	60 mm
Ba	54,4 mm
X	36 mm
d1	185 mm
r min.	2,1 mm
Weight	5,82 Kg
Basic dynamic load rating (C)	540 kN

RSL183032-A Bearing 2D drawings and 3D CAD models