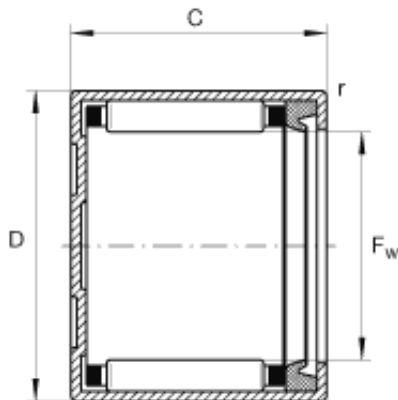




Timken BEARINGS INDUSTRY



INA BCH910-P needle roller bearings

Bearing No. BCH910-P

Size	14.288x20.638x15.875 mm
Bore Diameter	14,288 mm
Outer Diameter	20,638 mm
Width	15,875 mm
F_w	9/16 inch
F_w	14,288 mm
D	0,813 inch
D	20,638 mm
C	0,625 inch
C	15,875 mm
m	0,022 lbs / Weight
m	10 g / Weight
C_r	2450 lbf / Dynamic load rating (radial)
C_r	10900 N / Dynamic load rating (radial)
C_{0r}	3000 lbf / Static load rating (radial)
C_{0r}	13300 N / Static load rating (radial)
n_G	12000 1/min / Limiting speed

BCH910-P Bearing 2D drawings and 3D CAD models