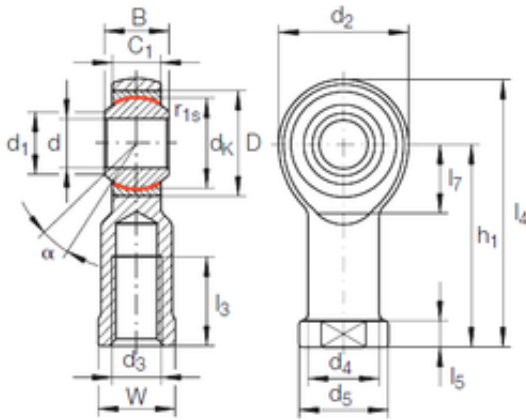




# Timken BEARINGS INDUSTRY

## 10 mm x 22 mm x 14 mm INA GIPR 10 PW plain bearings



GIPR 10 PW Bearing 2D drawings and 3D CAD models

Bearing No. GIPR 10 PW

Size	10x22x14 mm
Bore Diameter	10 mm
Outer Diameter	22 mm
Width	14 mm
d	10 mm
D	22 mm
B	14 mm
d1	12,9 mm
d2	28 mm
d4	15 mm
dk	19,05 mm
h1	43 mm
l3 min.	20 mm
l4 max.	57 mm
l5	6,5 mm
l7 min.	15 mm
r1 min.	0,3 mm
C1	10,5 mm
W	17 mm
Thread (G)	M10X1,25
Angle	13 °
d5	19 r/min
Weight	0,077 Kg
Basic dynamic load rating (C)	18 kN