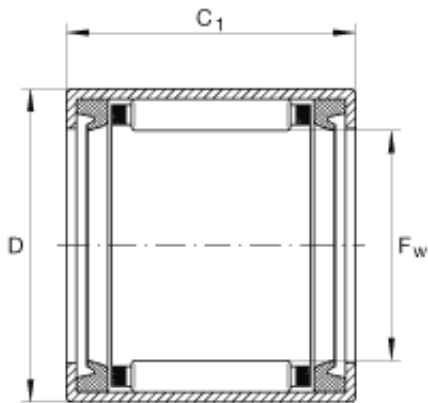




# Timken BEARINGS INDUSTRY



## INA SCE49-PP needle roller bearings

Bearing No. SCE49-PP

Size	6.35x11.112x14.288 mm
Bore Diameter	6,35 mm
Outer Diameter	11,112 mm
Width	14,288 mm
F <sub>w</sub>	1/4 inch
F <sub>w</sub>	6,35 mm
D	0,438 inch
D	11,112 mm
C <sub>1</sub>	0,563 inch
C <sub>1</sub>	14,288 mm
m	0,011 lbs / Weight
m	5 g / Weight
C <sub>r</sub>	920 lbf / Dynamic load rating (radial)
C <sub>r</sub>	4100 N / Dynamic load rating (radial)
C <sub>0r</sub>	870 lbf / Static load rating (radial)
C <sub>0r</sub>	3900 N / Static load rating (radial)
n <sub>G</sub>	35000 1/min / Limiting speed
n <sub>B</sub>	25000 1/min / Reference speed
Category	Roller Bearings
Inventory	0.0
Manufacturer Name	SCHAEFFLER GROUP

SCE49-PP Bearing 2D drawings and 3D CAD models



## Timken BEARINGS INDUSTRY

Minimum Buy Quantity	N/A
Weight / Kilogram	0.006
Product Group	B04144