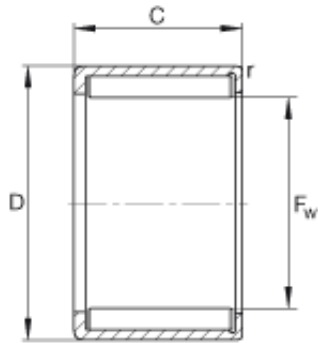




# Timken BEARINGS INDUSTRY



## INA HN1210 needle roller bearings

Bearing No. HN1210

|                             |                                       |
|-----------------------------|---------------------------------------|
| Size                        | 12x16x10 mm                           |
| Bore Diameter               | 12 mm                                 |
| Outer Diameter              | 16 mm                                 |
| Width                       | 10 mm                                 |
| $F_w$                       | 12 mm                                 |
| D                           | 16 mm                                 |
| C - 10 mm / Tolerance: -0,3 | 10 mm / Tolerance: 0,3                |
| $r_{min}$                   | 0,4 mm                                |
| m                           | 5,3 g / Weight                        |
| $C_r$                       | 8000 N / Dynamic load rating (radial) |
| $C_{Or}$                    | 13400 N / Static load rating (radial) |
| $C_{ur}$                    | 1850 N / Fatigue limit load, radial   |
| $n_G$                       | 11800 1/min / Limiting speed          |
| $n_B$                       | 11300 1/min / Reference speed         |
|                             | LR8X12X10,5 / Suitable inner ring     |
|                             | IR8X12X10,5 / Suitable inner ring     |
| Category                    | Roller Bearings                       |
| Inventory                   | 0.0                                   |
| Manufacturer Name           | SCHAEFFLER GROUP                      |
| Minimum Buy Quantity        | N/A                                   |
| Weight / Kilogram           | 0.006                                 |

HN1210 Bearing 2D drawings and 3D CAD models



# Timken BEARINGS INDUSTRY

|               |               |
|---------------|---------------|
| EAN           | 4012802440249 |
| Product Group | B04144        |