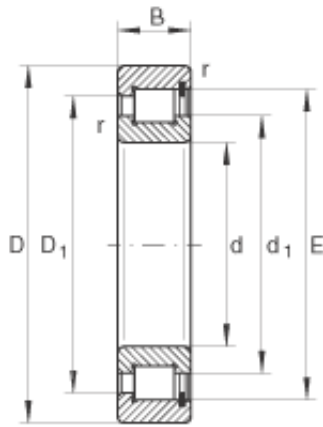




Timken BEARINGS INDUSTRY



30 mm x 55 mm x 19 mm INA SL183006
cylindrical roller bearings

Bearing No. SL183006

SL183006 Bearing 2D drawings and 3D CAD models

Size	30x55x19 mm
Bore Diameter	30 mm
Outer Diameter	55 mm
Width	19 mm
d	30 mm
D	55 mm
B	19 mm
D ₁	45,4 mm
d ₁	40 mm
E	49,6 mm
r _{min}	1 mm
s	2 mm / Axial displacement
m	0,2 kg / Weight
C _r	45000 N / Dynamic load rating (radial)
C _{0r}	42000 N / Static load rating (radial)
C _{ur}	7500 N / Fatigue limit load, radial
n _G	8100 1/min / Limiting speed
Category	Cylindrical Roller Bearings
Inventory	0.0
Manufacturer Name	SCHAEFFLER GROUP
Minimum Buy Quantity	N/A
Weight / Kilogram	0.24
Product Group	B04144



Timken BEARINGS INDUSTRY

Bore Profile	Straight
Cage Material	None
Precision Class	RBEC 1 ISO P0
Number of Rows of Rollers	Single Row
Separable	No
Rolling Element	Cylindrical Roller Bearing
Profile	Complete with Outer and Inner Ring
Snap Ring	No
Internal Clearance	C0-Medium
Retainer	No
Relubricatable	Yes
Inch - Metric	Metric
Other Features	Full Complement 2 Rib Inner Ring 1 Rib Outer Ring with Retaining Ring Operating Temperature From -30 to 120 Deg
Long Description	30MM Bore; Straight Bore Profile; 55MM Outside Diameter; 19MM Width; RBEC 1 ISO P0; Single Row; Not Separable; No Snap Ring; Relubricatable; C0-Medium Internal Clearance; No Retainer
Category	Cylindrical Roller Bearing
UNSPSC	31171547
Harmonized Tariff Code	8482.50.00.00
Noun	Bearing
Manufacturer URL	http://www.ina.com
Manufacturer Item Number	SL183006
Weight / LBS	0.528
Bore	1.181 Inch 30 Millimeter
Width	0.748 Inch 19 Millimeter
Outside Diameter	2.165 Inch 55 Millimeter



Timken BEARINGS INDUSTRY