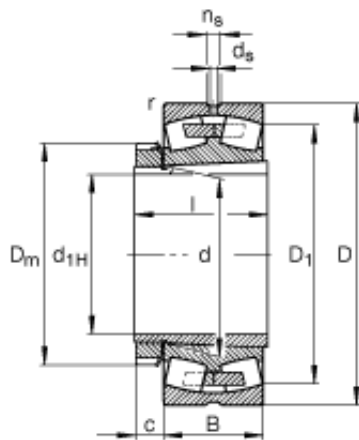




# Timken BEARINGS INDUSTRY

150 mm x 250 mm x 80 mm FAG 23130-E1A-K-M + H3130 spherical roller bearings



Bearing No. 23130-E1A-K-M + H3130

23130-E1A-K-M + H3130 Bearing 2D drawings and 3D CAD models

|                |                                 |
|----------------|---------------------------------|
| Size           | 135x250x80 mm                   |
| Bore Diameter  | 135 mm                          |
| Outer Diameter | 250 mm                          |
| Width          | 80 mm                           |
| $d_{1H}$       | 135 mm                          |
| D              | 250 mm                          |
| B              | 80 mm                           |
| $B_{a \min}$   | 8 mm                            |
| c              | 26 mm                           |
| $D_1$          | 220,8 mm                        |
| $D_{a \max}$   | 238 mm                          |
| $D_m$          | 195 mm                          |
| d              | 150 mm                          |
| $d_{a \max}$   | 170 mm                          |
| $d_{b \min}$   | 160 mm                          |
| $d_s$          | 6,3 mm                          |
| l              | 111 mm                          |
| $n_s$          | 12,2 mm                         |
| $r_{a \max}$   | 2,1 mm                          |
| $r_{\min}$     | 2,1 mm                          |
|                | H3130 / Adapter sleeve          |
| m              | 15,8 kg / Weight                |
| $m_1$          | 5,6 kg / Weight, adapter sleeve |



## Timken BEARINGS INDUSTRY

|          |   |
|----------|---|
| $C_r$    | 1000000 N                               |
| $e$      | 0,29                                    |
| $Y_1$    | 2,32                                    |
| $Y_2$    | 3,45                                    |
| $C_{0r}$ | 1330000 N / Static load rating (radial) |
| $Y_0$    | 2,26                                    |
| $n_G$    | 2650 1/min / Limiting speed             |
| $n_B$    | 1750 1/min / Reference speed            |