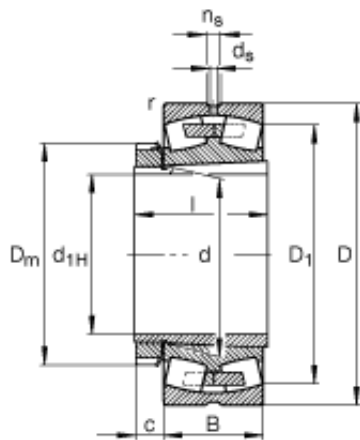




Timken BEARINGS INDUSTRY



130 mm x 210 mm x 64 mm FAG 23126-E1A-K-M + H3126 spherical roller bearings

Bearing No. 23126-E1A-K-M + H3126

23126-E1A-K-M + H3126 Bearing 2D drawings and 3D CAD models

Size	115x210x64 mm
Bore Diameter	115 mm
Outer Diameter	210 mm
Width	64 mm
d_{1H}	115 mm
D	210 mm
B	64 mm
$B_{a \min}$	8 mm
c	23 mm
D_1	187,3 mm
$D_{a \max}$	199 mm
D_m	165 mm
d	130 mm
$d_{a \max}$	149 mm
$d_{b \min}$	138 mm
d_s	4,8 mm
l	92 mm
n_s	9,5 mm
$r_{a \max}$	2 mm
r_{\min}	2 mm
	H3126 / Adapter sleeve
m	8,1 kg / Weight
m_1	3,72 kg / Weight, adapter sleeve



Timken BEARINGS INDUSTRY

C_r	680000 N
e	0,28
Y_1	2,45
Y_2	3,64
C_{0r}	890000 N / Static load rating (radial)
Y_0	2,39
n_G	3200 1/min / Limiting speed
n_B	2140 1/min / Reference speed