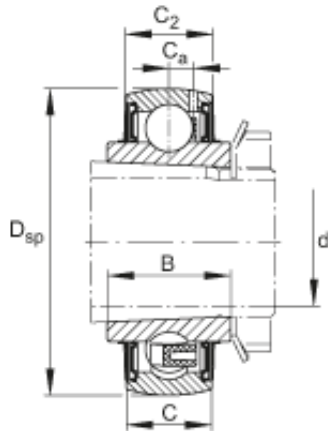




Timken BEARINGS INDUSTRY



FAG UK218 deep groove ball bearings

Bearing No. UK218

UK218 Bearing 2D drawings and 3D CAD models

Size	80x160x86 mm
Bore Diameter	80 mm
Outer Diameter	160 mm
Width	86 mm
d	80 mm
D _{SP}	160 mm
B ₁	86 mm
B	49 mm
C	38 mm
C ₂	39,4 mm
C _a	11 mm
c	18 mm
d _{3 max}	120 mm
m	4,59 kg / Weight
m	1,7 kg / Weight adapter sleeve, complete
C _r	102000 N / Dynamic load rating (radial)
C _{0r}	72000 N / Static load rating (radial)
	H2318 / Adapter sleeve, complete
	A2318X / Designation, sleeve
	AN18 / Designation, locknut